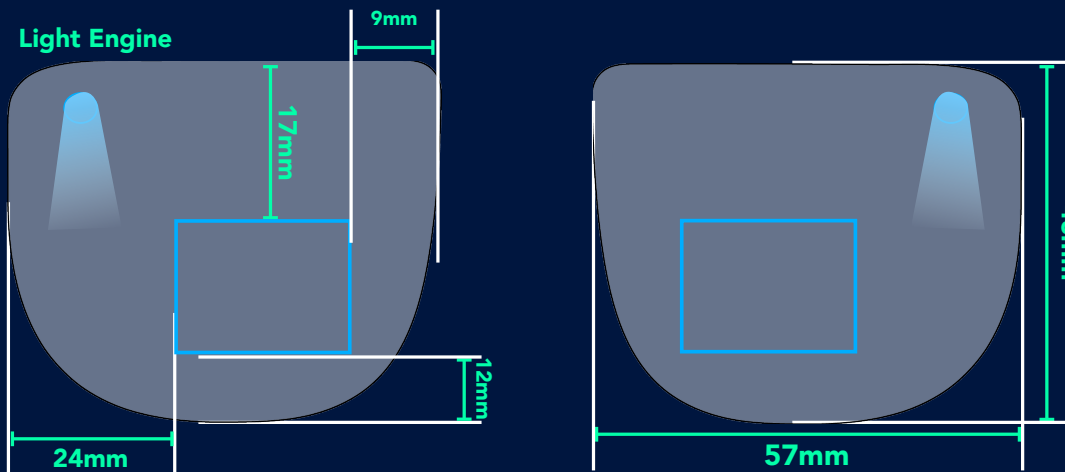


# Crystal30

3<sup>RD</sup> GENERATION

## New Experiences. Ready Today.

Increasing productivity is within reach for the innovators looking to push the boundaries of extended reality. Whether they are integrated into smartglasses, smart helmets or other head worn devices, DigiLens' 3<sup>rd</sup> generation of the Crystal30 waveguides allow for the natural integration of digital data to be added to the physical world.



Waveguide compatible with both Unpolarized (microLED/DLP) and Polarized (LCoS) projection engines

\*All above values are rounded for summary purposes

### Waveguide Specifications

**FIELD-OF-VIEW**

30° (DIAG); 26° (H) x 15° (V)

**EYE BOX**

12mm (H) x 10mm (V)

**ORIENTATION**

Landscape

**TRANSPARENCY**

>85%

**EYE RELIEF**

28mm <sup>\*2</sup>

**FOCUS DISTANCE**

Infinity

### Mechanical

**THICKNESS**

2.4mm

**LAYERS**

3 (R,G,B)

**WAVEGUIDE TILT**

0°

**CONFIGURATION**

Temple mounted

	UNPOLARIZED (n/L)	POLARIZED (n/L)
<b>AVG LUM EFF</b> <sup>*3</sup>	1000 +/- 10%	2000 +/- 10%
<b>PEAK LUM EFF</b> <sup>*3</sup>	1750 +/- 10%	3500 +/- 10%

<sup>\*1</sup> Average of Field and Eyebow

<sup>\*2</sup> Compatible with ophthalmic inserts.

<sup>\*3</sup> Alpha grade

**Available Now**

Measurements per Information Display Measurement Std (IDMS)

These waveguides are the brightest and most efficient on the market and they are socially acceptable with the lowest measured eye glow. They are available in glass or plastic substrates and support realistic production volumes at a consumer price point.